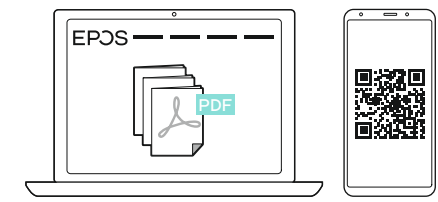
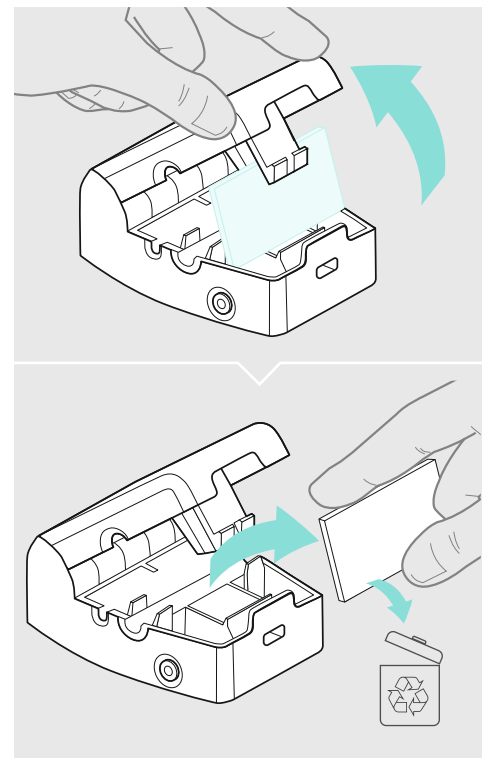
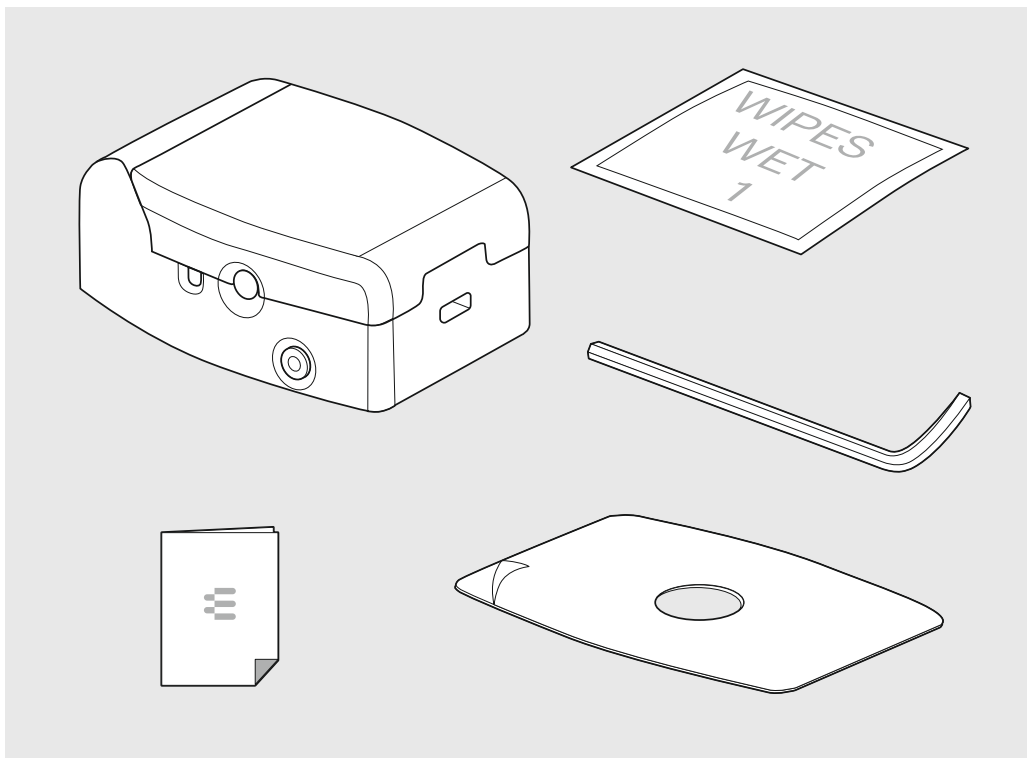


Security Cable Lock

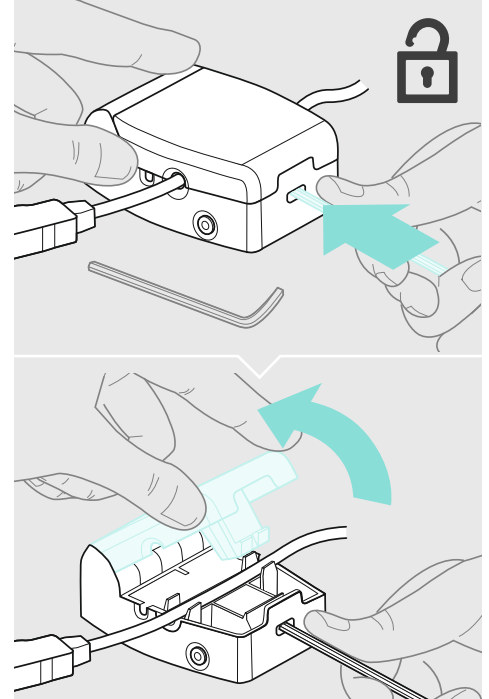
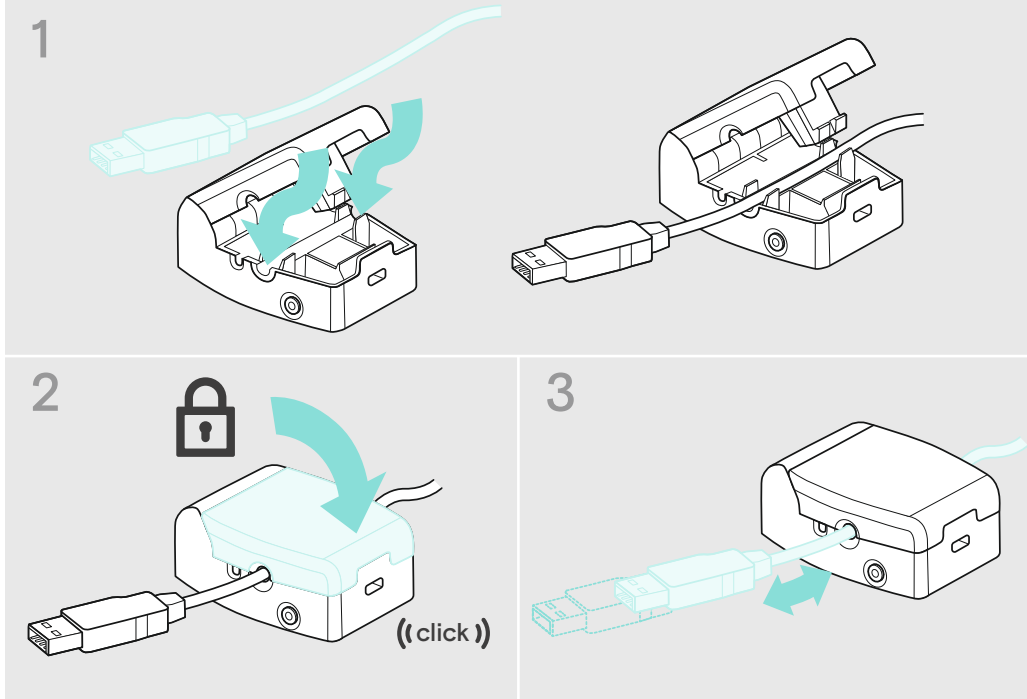
EN Quick Guide
 DE Kurzanleitung
 FR Guide express
 IT Guida rapida
 ES Guía rápida
 PT Guia Rápido
 NL Mini handleiding

EL Γρήγορος οδηγός
 DA Kvikvejledning
 SV Snabbguide
 FI Pikaopas
 PL Skrócona instrukcja obsługi

RU Краткое руководство
 ZH 快速入门指南
 TW 快速指南
 TR Hızlı Kılavuz
 JA クイックガイド
 ID Panduan Cepat
 KO 빠른 가이드

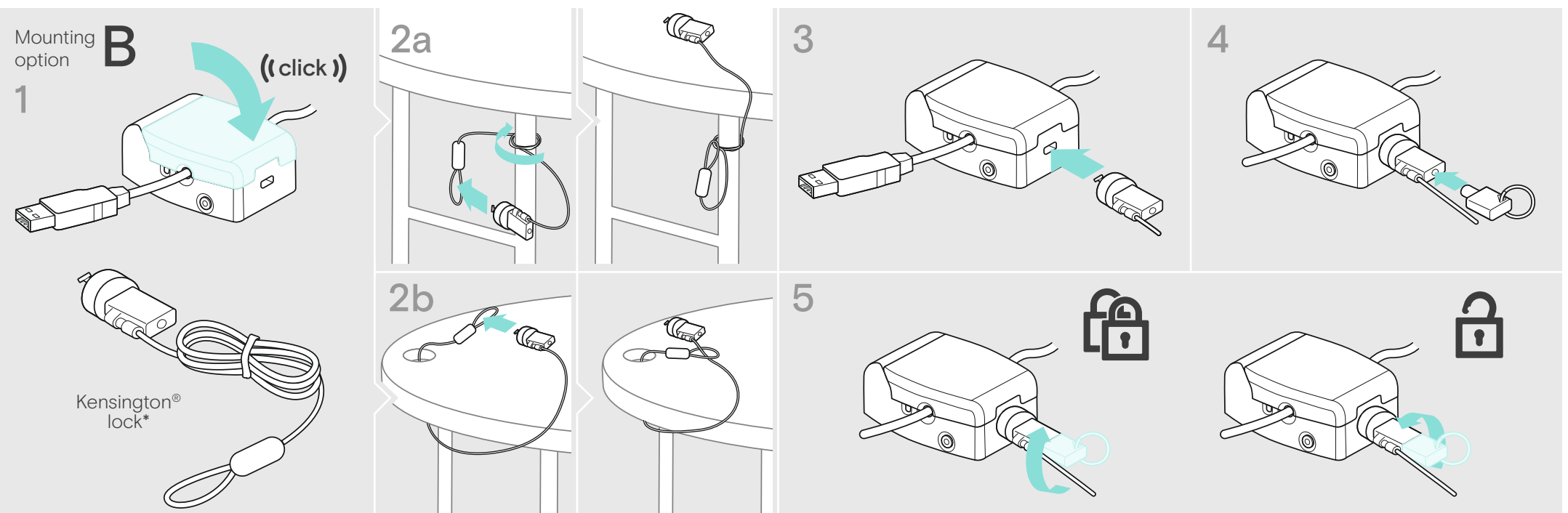
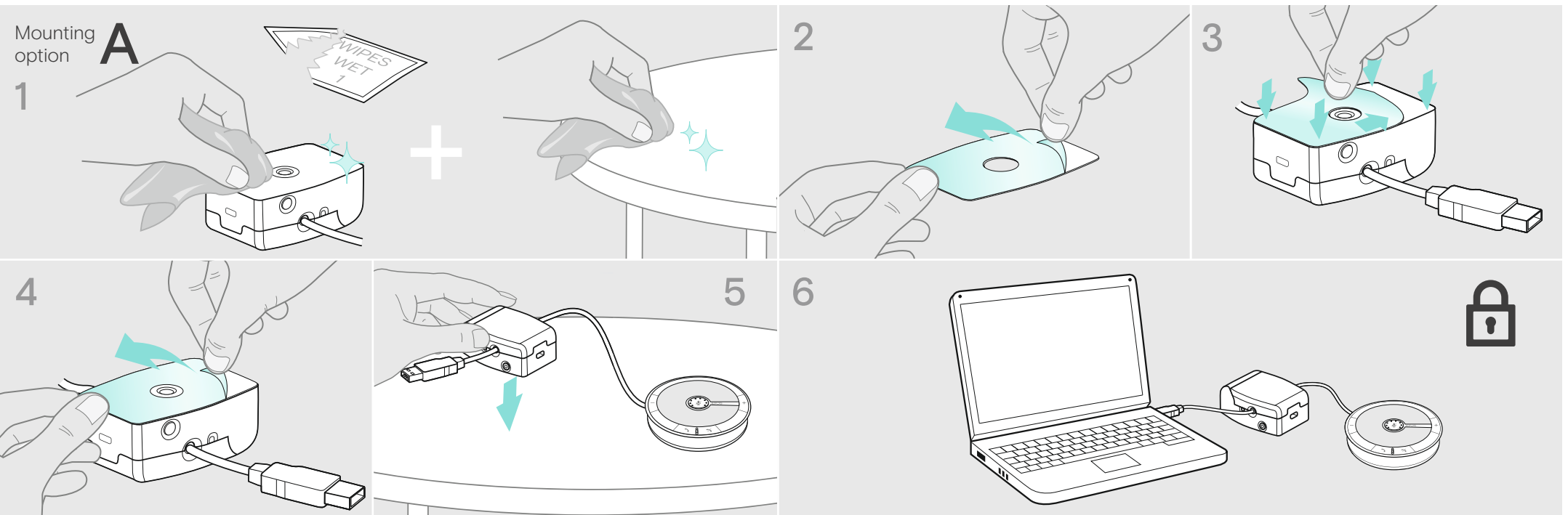


www.eposaudio.com/support



DSEA A/S
 Kongebakken 9, DK-2765 Smørum, Denmark
www.eposaudio.com

Printed in China, Publ. 12/22 770-00042/A05



* not included

Mounting option **C**

1

Ø max. 5 mm (M5)

* not included

2a

2b

3a

3b

4a/5b

((click))

4b

1

Mounting option **D**

Cable - not included

2a

2b

3

4

((click))

5

((click))

3a

Remains locked

3b

Opens

A | B

1

2a

4x

2b

4x

3a

Remains locked

3b

Opens

A | B | C

Secure 2 devices
e.g. a webcam or headset

1

2

((click))

